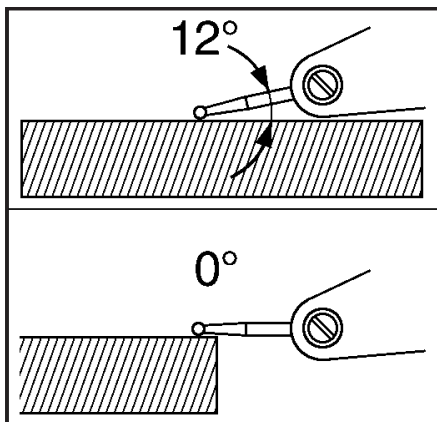




Test Indicator 422 Series

Please carefully review these instructions to ensure proper and accurate use of your new Test Indicator.

Contact Point with 12° Position



This indicator is designed to provide a true reading when the angle between the contact point and component is 12°. Any configuration of an angle other than 12° needs the displayed value to be corrected. For a position of 0°, the correct value is:

Displayed value x 1.022" or 1.022mm

Maintenance

No special maintenance is required. The bearings of the indicator **must not be oiled.**