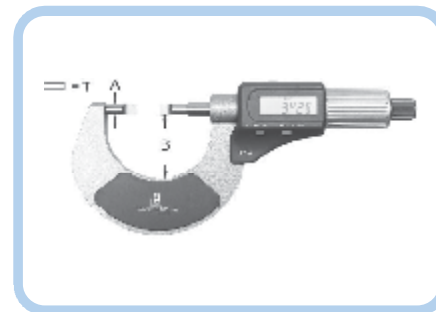


Digitronic Blade Outside Micrometer 275 Series

Features

Standard: DIN 863

- Blade type micrometer with non-rotating spindle
- For measuring grooves, keyways etc.
- Design Line product
- Resolution 0.001mm
- Satin-chrome scale
- Hammertone finished frame with high quality insulated grip
- Tapered for easier access to difficult areas
- Constant force ratchet on thimble
- Packed in plastic box with standard and adjusting key



DIGITRONIC BLADE OUTSIDE MICROMETER

Code No	Range	Resolution
MW275-01DDL	0-25mm / 0-1"	0.001mm / 0.00005"
MW275-02DDL	25-50mm / 1-2"	0.001mm / 0.00005"
MW275-03DDL	50-75mm / 2-3"	0.001mm / 0.00005"
MW275-04DDL	75-100mm / 3-4"	0.001mm / 0.00005"

For more information visit www.moore-and-wright.com

Partners in Precision