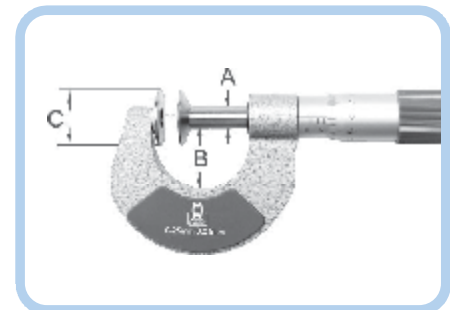


## Disc Micrometer 240 Series

### Features

Standard: DIN 863

- High quality micrometer for measuring gear root, paper, etc.
- Design Line product
- Resolution 0.01mm
- Satin-chrome scale
- Hammertone finished frame with high quality insulated grip
- Tapered for easier access to difficult areas
- Constant force ratchet on thimble
- Packed in plastic box with standard and adjusting key



### DISC MICROMETER

Code No	Range	Resolution
MW240-01	0-25mm	0.01mm
MW240-02	25-50mm	0.01mm
MW240-03	50-75mm	0.01mm
MW240-04	75-100mm	0.01mm