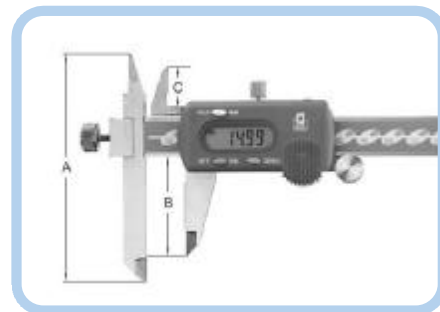


# Digitronic Caliper with Adjustable Jaw 141 Series

## Features

Standard: Factory Standard

- Top quality digital caliper
- Features adjustable jaw for measurement of stepped sections
- Modern design
- Large 7.5mm character height digital display
- Long life guaranteed
- Ground micro-lapped measuring surfaces
- Standard with roller button for easy controlled operation
- Functions: mm/inch conversion, on/off, data-output, zero-setting, battery low indication



## DIGITRONIC CALIPER WITH ADJUSTABLE JAW

Code No	Range	Resolution
MW141-15D	0-150mm / 0-6"	0.01mm / 0.0005"
MW141-20D	0-200mm / 0-8"	0.01mm / 0.0005"
MW141-30D	0-300mm / 0-12"	0.01mm / 0.0005"